

H125/H150/H200M/H200/H300 Series Birm Filter Systems



The H-Series Family H125, H150, H200, H200M, H300

Birm Filtration Systems

Birm is an efficient and economical media for the reduction of dissolved iron and manganese compounds. Acts as a catalyst between dissolved oxygen and undesirable compounds. Birm offers a long material life and only requires periodic backwashing.

Water quality parameters: pH 6.8-9.0; free chlorine less than 0.5 mg/l; hydrogen sulfide less than 0.1 mg/l; dissolved oxygen should equal at least 15% of iron and manganese content; alkalinity should be greater than 2 times sulfate and chloride content.


Hellenbrand[®]

H125/H150/H200M/H200/H300 Birm Filter Systems

MODEL	PIPE SIZE	CF FILTER MEDIA	TANK SIZE	WATER QUALITY			BACK WASH FLOW RATE	DIMENSIONS ¹					EST. SHIP WT. LBS.
				SUPERIOR	HIGH	UTILITY		TOTAL H ²	INLET I	OUTLET O	DRAIN D	WIDTH W	
H125-BR-10-1	1.25	1	10x44	2	2	3	7	51	46	46	50	11	120
H125-BR-10-1.5	1.25	1.5	10x54	2	2	3	7	63	57	57	58	11	140
H125-BR-13-2	1.25	2	13x54	3	4	5	11	63	57	57	58	14	200
H125-BR-14-3	1.25	3	14x65	4	4	5	13	74	68	68	69	15	275
H125-BR-16-4	1.25	4	16x65	5	6	7	17	74	67	70	68	17	400
H125-BR-18-5	1.25	5	18x65	6	7	9	20	76	68	71	69	19	440
H150-BR-14-3	1.5	3	14x65	4	4	5	13	74	68	69	70	15	285
H150-BR-16-4	1.5	4	16x65	5	6	7	17	74	68	69	70	17	360
H150-BR-18-5	1.5	5	18x65	6	7	9	20	76	69	70	71	19	450
H150-BR-21-6	1.5	6	21x62	8	10	12	30	72	65	67	67	22	520
H150-BR-24-8	1.5	8	24x72	11	13	16	40	82	75	76	77	25	820
H200M-BR-14-3	2	3	14x65	4	4	5	13	78	69	69	78	15	300
H200M-BR-16-4	2	4	16x65	5	6	7	17	78	69	69	78	17	425
H200M-BR-18-5	2	5	18x65	6	7	9	20	80	71	71	80	19	465
H200M-BR-21-6	2	6	21x62	8	10	12	30	80	71	71	80	22	550
H200M-BR-24-8	2	8	24x72	11	13	16	40	88	79	79	88	25	845
H200M-BR-30-15	2	15	30x72	17	20	25	60	89	80	80	89	31	1200
H200-BR-24-8 ³	2	8	24x72	11	13	16	40	89	83	87	85	25	900
H200-BR-30-15 ³	2	15	30x72	17	20	25	60	86	80	84	82	31	1200
H200-BR-36-20 ³	2	20	36x72	25	28	35	85	87	81	85	83	37	1500
H300-BR-36-20 ³	3	20	36x72	25	28	35	85	104	76	96	100	37	1600
H300-BR-42-30 ³	3	30	42x72	34	38	48	115	109	102	102	105	43	1900
H300-BR-48-40 ³	3	40	48x72	44	50	63	150	109	102	102	105	43	2500

¹All dimensions are ± 1"

²Allow additional 12" for media loading

³Available in top-mount or side-mount

- Service and backwash flow rates are based on 50°F incoming water temperature.
- Operating parameters - pressure range 40-100 PSI; temperature range 40°-110°F.
- Product improvement designs are subject to change without notice

As a general rule - Lower flows produce higher quality water and a larger volume of treated water between backwashing.

Superior

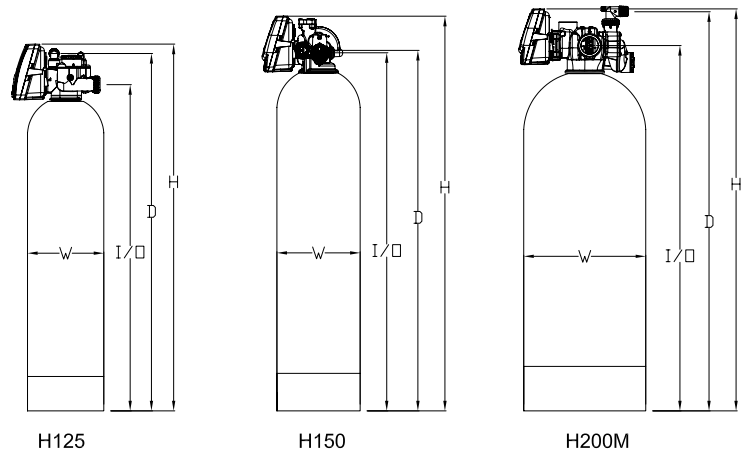
- Recommended for most filtering applications under all operating conditions.
- Best quality water
- Maximum time on line between backwashing
- Lowest pressure loss
- Recommended for influent suspended solids loads up to and greater than 300 ppm.

High

- Well suited for many filtering applications
- Very good quality water
- Moderate time on line between backwashing
- Increased pressure loss
- Recommended for influent suspended solids loads less than 300 ppm.

Utility

- Flow rates listed are at peak design - operation at higher flow rates not recommended
- Satisfactory water quality
- Shorter on line time
- Higher pressure loss
- Recommended for influent suspended solids loads less than 150 ppm.



Consult Hellenbrand's engineering department for additional sizes, modifications or special applications.

Hellenbrand[®]

1-800-626-1417
www.hellenbrand.com

800308
8/09 - LBRY
©2009