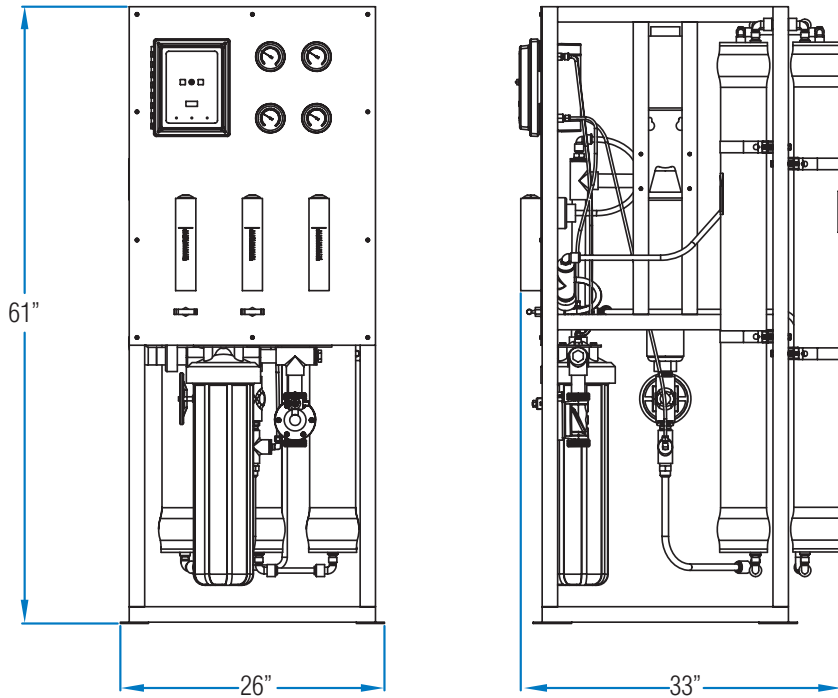
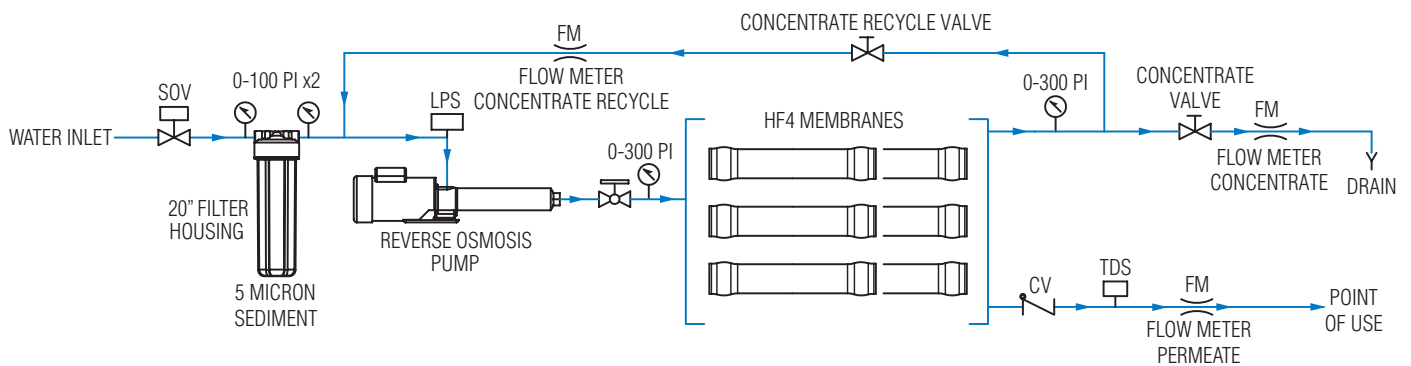
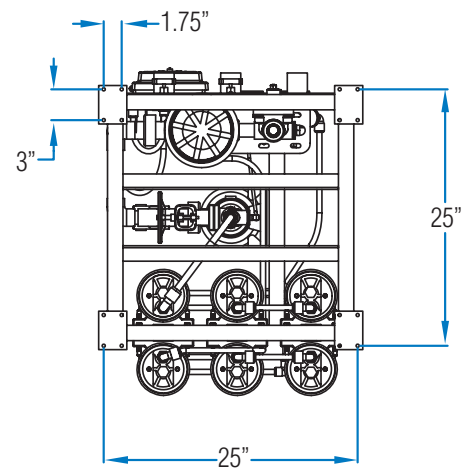


HRO 6 Series Reverse Osmosis System Specs



Notes:

1. All dimensions are given in inches.
2. HRO 6 10,000 model shown.



Array Specifications

Model	Vessel Array	Vessel Size	Vessel Quantity	Membrane Size	Membrane Quantity
HRO 6-1800	1	4x40	1	4x40	1
HRO 6-4000	1:1	4x40	2	4x40	2
HRO 6-5000	1:1:1	4x40	3	4x40	3
HRO 6-7000	1:1:1:1	4x40	4	4x40	4
HRO 6-9000	1:1:1:1:1	4x40	5	4x40	5
HRO 6-10000	1:1:1:1:1:1	4x40	6	4x40	6

Specifications

Models	HRO 6-1800	HRO 6-4000	HRO 6-5000	HRO 6-7000	HRO 6-9000	HRO 6-10000
Design						
Configuration	Single Pass	Single Pass	Single Pass	Single Pass	Single Pass	Single Pass
Feed Water***	TDS<2,000 ppm	TDS<2,000 ppm	TDS<2,000 ppm	TDS<2,000 ppm	TDS<2,000 ppm	TDS<2,000 ppm
Standard Recovery Rate	50-75%	50-75%	50-75%	50-75%	50-75%	50-75%
Rejection and Flow Rates						
Nominal Salt Rejection %	99	99	99	99	99	99
Permeate Flow* gpm	1.2	2.25	3.15	4	5	6
Minimum Feed Flow gpm****	2.4	4.5	6.3	8	10	12
Maximum Feed Flow gpm	16	16	16	16	16	16
Minimum Concentrate Flow (to drain) gpm Using Recycle Based on 50% Recovery	1.2	2.25	3.15	4	5	6
Connections						
Feed Inch	1 FNPT	1 FNPT	1 FNPT	1 FNPT	1 FNPT	1 FNPT
Permeate Inch	3/4 FNPT	3/4 FNPT	3/4 FNPT	1 FNPT	1 FNPT	1 FNPT
Concentrate Inch	3/4 FNPT	3/4 FNPT	3/4 FNPT	1 FNPT	1 FNPT	1 FNPT
Membranes						
Membranes Per Vessel	1	1	1	1	1	1
Membrane Quantity	1	2	3	4	5	6
Membrane Size	4x40	4x40	4x40	4x40	4x40	4x40
Pumps						
Pump Type	Multi-Stage	Multi-Stage	Multi-Stage	Multi-Stage	Multi-Stage	Multi-Stage
Motor HP	1.5	1.5	1.5	1.5	3	3
RPM @ 60 Hz	3450	3450	3450	3450	3450	3450
Electrical						
Standard Voltage	230V, 60Hz, 1ph, 8.7A	230V, 60Hz, 1ph, 8.7A	230V, 60Hz, 1ph, 8.7A	230V, 60Hz, 1ph, 8.7A	230V, 60Hz, 1ph, 16A	230V, 60Hz, 1ph, 16A
Voltage Options	230V, 60Hz, 3ph, 6.7A 460V, 60Hz, 3ph, 3.9A	230V, 60Hz, 3ph, 6.7A 460V, 60Hz, 3ph, 3.9A	230V, 60Hz, 3ph, 6.7A 460V, 60Hz, 3ph, 3.9A	230V, 60Hz, 3ph, 6.7A 460V, 60Hz, 3ph, 3.9A	230V, 60Hz, 3ph, 8.1A 460V, 60Hz, 3ph, 4.6A	230V, 60Hz, 3ph, 8.1A 460V, 60Hz, 3ph, 4.6A
System Dimensions**						
L x W x H inch	29 x 26 x 61	29 x 26 x 61	29 x 26 x 61	33 x 26 x 61	33 x 26 x 61	33 x 26 x 61
Weight lb.	250	290	360	460	590	750

* Product flow and recovery rates are based on equipment test parameters.

** Does not include operating space requirements.

*** Treatment ability of the RO system is dependent on feed water quality. Performance projections must be run for each installation.

**** Calculated based on 50% recovery.

Operating Limits

Maximum Feed Temperature °F	85	Maximum Free Chlorine ppm	0
Minimum Feed Temperature °F	40	Maximum TDS ppm	2,000
Maximum Ambient Temperature °F	120	Maximum Hardness gpg	< 1
Minimum Ambient Temperature °F	40	Maximum pH (Continuous)	11
Maximum Feed Pressure psi	85	Minimum pH (Continuous)	5
Minimum Feed Pressure psi	45	Maximum pH (Cleaning 30 Min.)	12
Maximum Piping Pressure psi	200	Minimum pH (Cleaning 30 Min.)	2
Maximum SDI Rating SDI	<3	Maximum Turbidity NTU	1

Test Parameters: 550 TDS Filtered (5 Micron), De-Chlorinated, Municipal, Feed Water, 65 psi (4.5 bar) Feed Pressure, 100 psi Operating Pressure, 77 Degrees F, Recovery as stated, 7.0 pH. Data taken after 60 minutes of operation.

Low temperatures and high feed water TDS levels will significantly affect the system's production capabilities. Computer projections must be run for individual applications which do not meet or exceed minimum and maximum operating limits.

Scale prevention measures must be taken to prolong membrane life.



Hellenbrand, Inc.
404 Moravian Valley Rd.
Waunakee, WI 53597
www.hellenbrand.com

Your Hellenbrand Dealer: