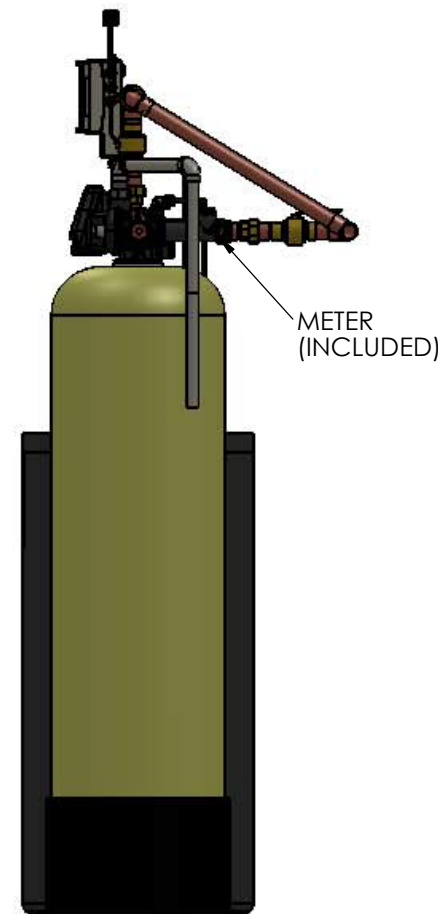
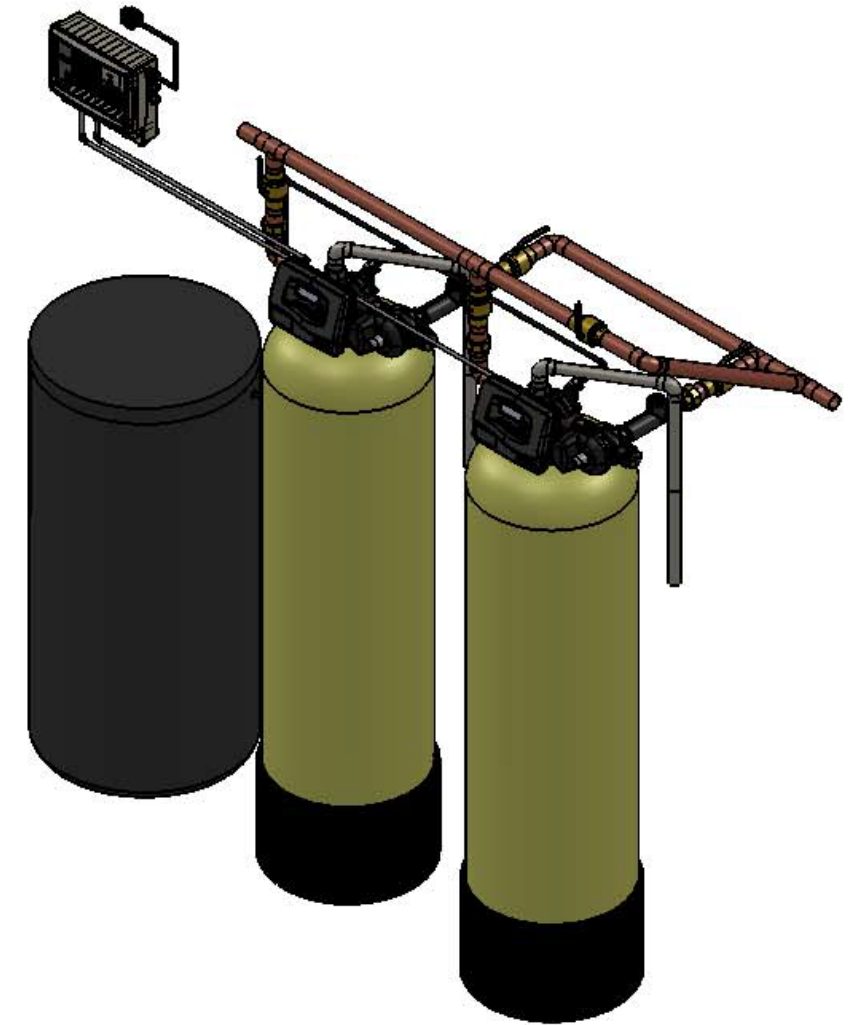
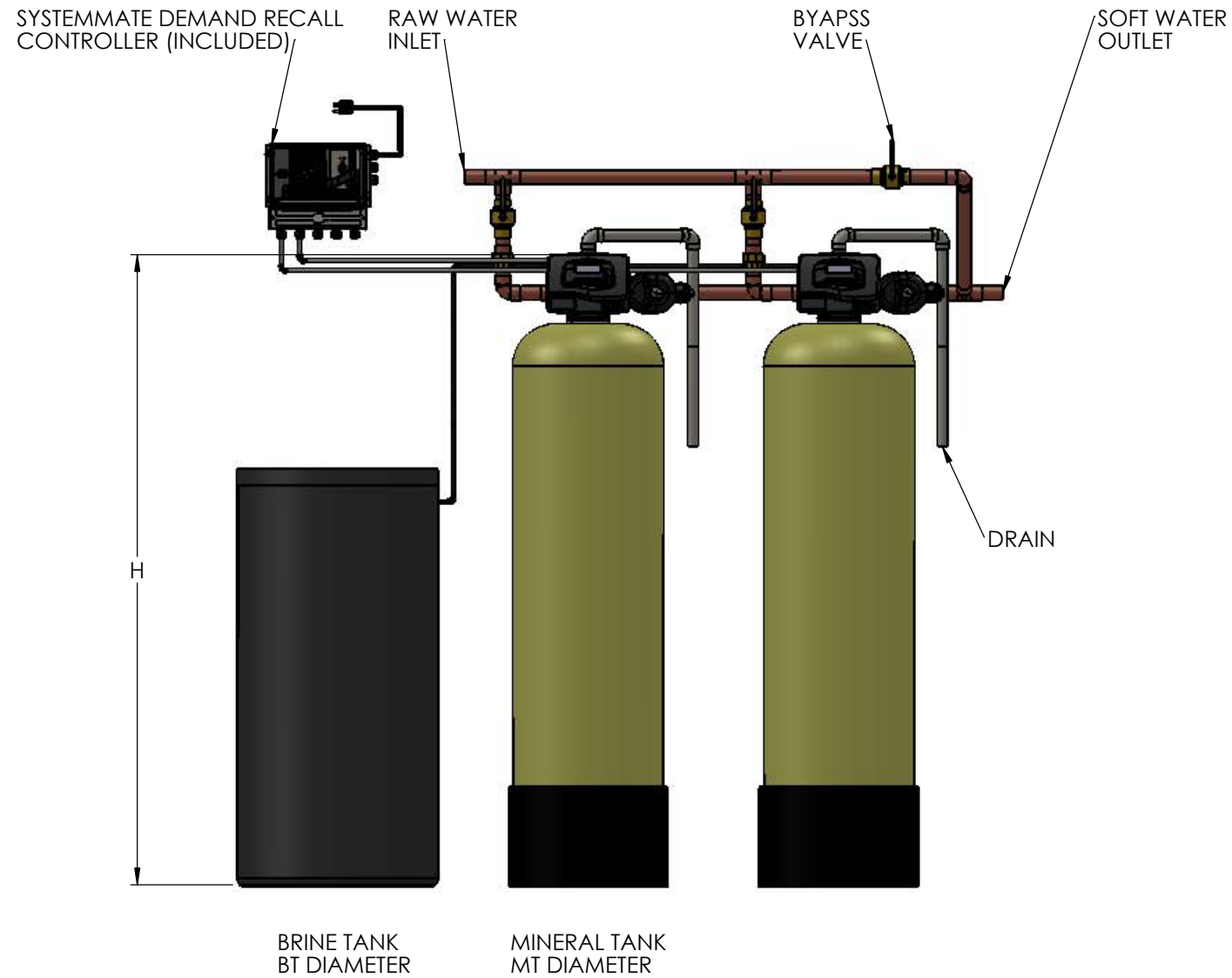
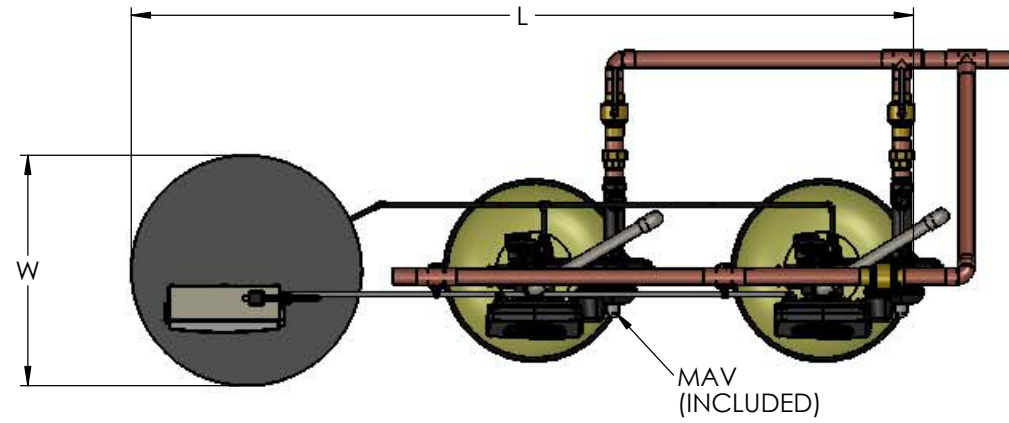


NOTE:
ALL INTERCONNECT PIPING IS PROVIDED BY INSTALLER UNLESS OTHERWISE NOTED.

ALL PIPING & FITTINGS MUST COMFORM TO LOCAL & STATE CODES.



Model - TWIN	Softener Tank Dia .x Ht.	Brine Tank Dia. x Ht.	Approx Space Required		
			H	L	W
H151-060	13x65	18x40	66"	56"	20"
H151-090	14x65	18x40	70"	58"	20"
H151-120	16X65	24X40	79"	68"	26"
H151-150, 180	18X65	24X50	79"	72"	26"
H151-150-21, 180-21, 210	21X62	24X50	79"	78"	26"
H151-240,270,300	24X72	24X50	87"	84"	26"

DRAWN	ENG APPR.	DATE	DWG DESCRIPTION:
J.WAACK		1/13/12	H151 TWIN SYSTEMMATE

DIMENSIONS ARE IN INCHES
TOLERANCE: X" +/- .2"

PROPRIETARY AND CONFIDENTIAL:
THE INFORMATION CONTAINED IN THIS DRAWING IS THE SOLE PROPERTY OF HELLENBRAND INC. ANY REPRODUCTION IN PART OR AS A WHOLE WITHOUT THE WRITTEN PERMISSION OF HELLENBRAND INC. IS PROHIBITED.

Hellenbrand

DWG. NO. H151-TWIN-SYSTEMMATE

REV.

REVISIONS			
NO.	DATE	BY	COMMENTS